

VISIX™ V-Series 4MP IP Camera Outdoor Bullet Camera

This four (4) megapixel IP camera from 3xLOGIC provides dual-streaming high-definition video at a full 2688 x 1520 pixels for video surveillance applications requiring superior clarity and detail.

The VX-4V-B-RI-02 is packed with all the features you might need for nearly any application including: SD card slot for local recording; motion detection; low-light day/night functionality; compatibility with a wide variety of standardized network protocols.

The convenient and aesthetically-pleasing bullet camera allows unobtrusive and easy installation in a wide variety of areas. In addition, this camera is designed to continue functioning at top performance at temperatures as low as -30°C (-22°F) and as high as 60°C (140°F) allowing a wide range of applications.

Comes standard with a 2.8-12mm vari-focal lens providing support for most applications. Day / Night operation allows use in varying lighting conditions down to 0.01 lux and 0 lux with IR providing better night time video. Superior compatibility with all VIGIL products allowing the best performance and capabilities possible.

Dual streaming compression permits recording at the highest quality while allowing fast live viewing from anywhere in the world regardless of available bandwidth. In addition, with full support for both variable bit rate and variable frame rate, the quality of each stream can be matched to available bandwidth for the most effective video quality possible.

As part of the V-Series line of cameras, the VX-4V-B-RI-02 has onboard storage and, with purchase of appropriate licensing, has the ability to have VIGIL Server installed on the camera. This can make the camera a standalone recording device, allowing storage on the camera as well as redundant recording to a VIGIL Server. As a standalone camera, the VX-4V-B-RI-02 is compatible with the entire VIGIL Software Suite, including direct access through VIGIL Client and our mobile app View Lite II, as well as with VIGIL Central Management for remote health monitoring and notification.



Key Features and Benefits

Feature	Value
Lens	2.8mm-12mm
Resolution (Megapixels)	4
2688 x 1520 Resolution	✓
Variable angle of view (104° to 29°)	✓
Infrared (Low-Lighting/No-Light)	✓
H.264/H.264+/H.265/H.265+/ MJPEG	✓
Wide Dynamic Range	120db
IP67 Weather-Resistant	✓
V-Series (VIGIL Embedded)	+
3 Year Warranty	✓

+ Optional Part

CAMERA

Image Sensor:	1/3 inch Progressive Scan CMOS
Lens:	2.8-12mm @ F1.4, angle of view: 104° to 29°
Min. Illumination:	0.01 Lux @ F1.2, Auto Gain Control On 0 lux with IR
Day/Night:	IR cut filter with auto switch
IR Range:	Up to 50 Meters
Shutter Times:	1/3 s to 1/100,000 seconds
Wide Dynamic Range:	120dB

COMPRESSION STANDARD

Video Compression:	H.264/H.264+/H.265/H.265+/MJPEG
Video Bit Rate:	32 Kbps - 16 Mbps
Dual Streams:	Yes

IMAGE

Max. Image Resolution:	2688(H) x 1520(V)
Frame Rate:	25 fps (2688x1520) 30 fps (2688x1520)

FUNCTIONS

Alarm Triggers:	Motion Detection, Video Tampering, Network Disconnected, IP Address Conflict, Illegal Login, HDD Full, HDD Error
Security:	User Authentication, Watermark
Storage:	Built-in Micro SD/SDHC/SDXC slot, up to 128GB
Protocols:	TCP/IP, ICMP, HTTP, HTTPS, FTP, DHCP, DNS, DDNS, RTP, RTSP, RTCP, PPPoE, NTP, UPnP™, SMTP, SNMP, IGMP, 802.1X, QoS, IPv6, Bonjour
System Compatibility:	ONVIF (Profile S, G), PSIA, ISAPI, CGI

PHYSICAL

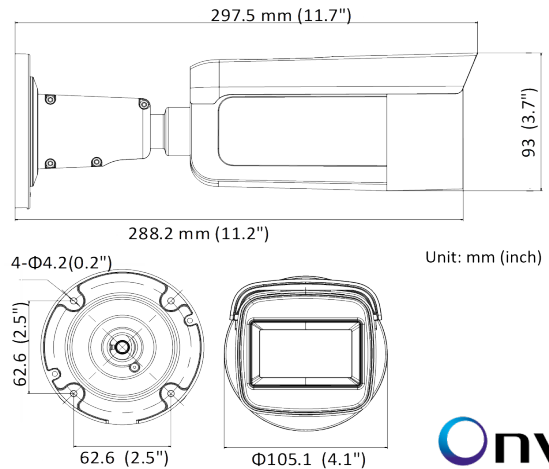
Working Temperature:	-30°C - 60°C (-22°F - 140°F); Humidity 95% max
Weather Protection:	IP67
Dimensions (inches):	4.1" × 11.7"
Dimensions (mm):	105.1 × 297.5 mm
Weight:	2.8 lbs. / 1285 g

INTERFACE

Communication:	1 RJ45 10M/100M Ethernet port
----------------	-------------------------------

ELECTRICAL

Power Supply:	12 VDC ± 25%, terminal block PoE (802.3at, class 4)
Power Consumption:	12 VDC, 1.2A, max. 14.5W PoE (802.3at, 42.5V to 57V), 0.43A to 0.3A, max. 18W



WARRANTY

Three (3) Year Return to Depot Parts and Labor Warranty

CERTIFICATIONS

FCC, CE, UL, ULC

PART NUMBER

VX-4V-B-RI-02:	4MP Indoor/Outdoor Infrared IP Bullet Camera
-S64	VIGIL Server Stand-Alone Software License with 64GB SD Storage
-S128	VIGIL Server Stand-Alone Software License with 128GB SD Storage

RECOMMENDED MOUNTS

Ceiling/Wall Mount:	Already Included
VX-POLE-147:	Vertical Pole Mount
VX-CM-147:	Corner Mount

Stand-Alone Server features can easily be added to the camera after installation. Contact your 3xLOGIC Representative for details.